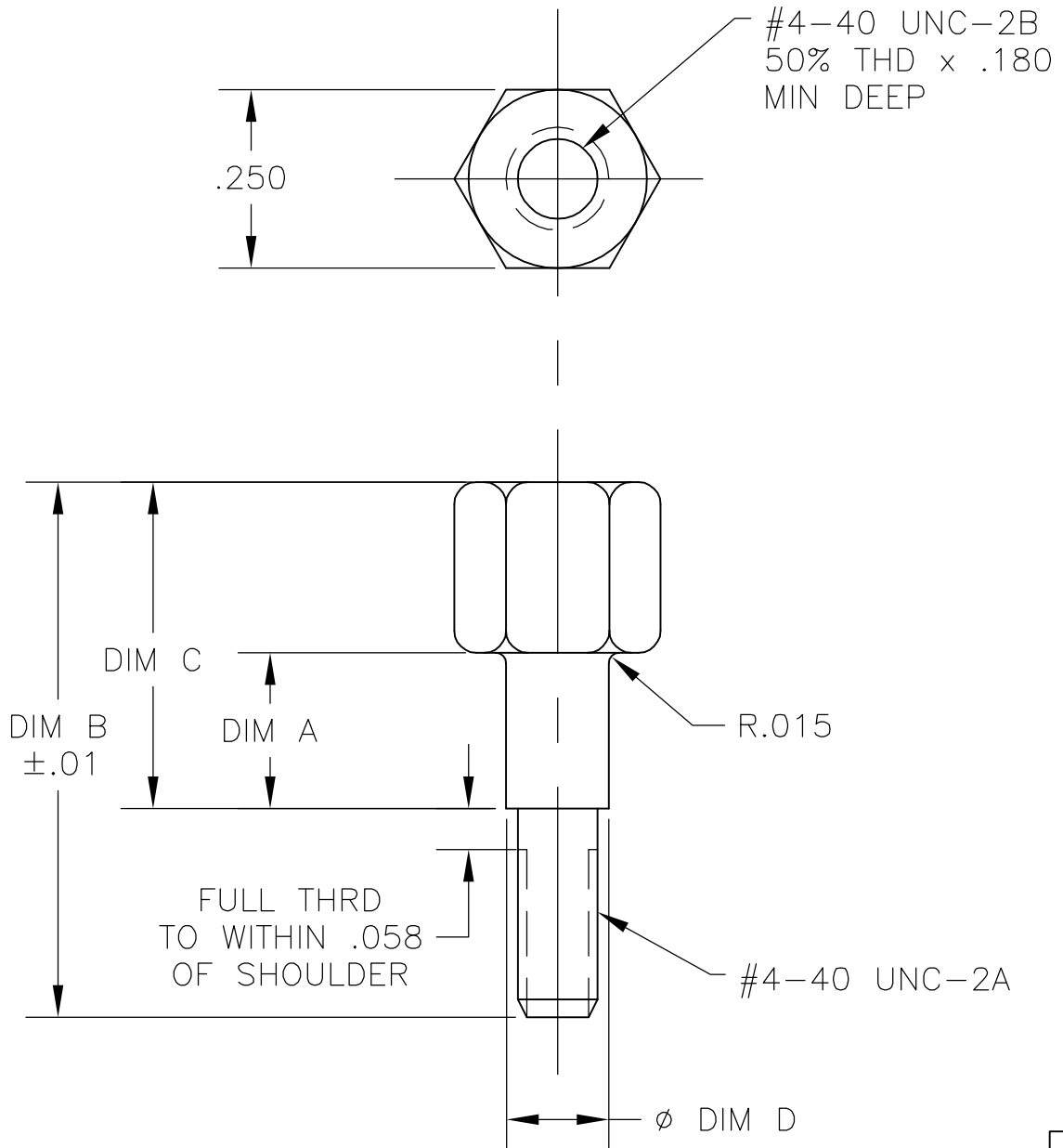


THIS DRAWING IS UNPUBLISHED. RELEASED FOR PUBLICATION  
 © COPYRIGHT 2005 BY TYCO ELECTRONICS CORPORATION. ALL RIGHTS RESERVED.

LOC	DIST	REVISIONS			
P	LTR	DESCRIPTION	DATE	DWN	APVD
GP	00	H	REVISED PER ECO-06-025935	13/FEB/07	ZMR WLM



1 MATERIAL: STEEL, ZINC PLATE WITH YELLOW CHROMATE.

OBSOLETE	.138-.144	.347	.64	.108	229995-2
	.138-.144	.457	.75	.218	229995-1
	φ DIM D	DIM C	DIM B	DIM A	PART NO.

THIS DRAWING IS A CONTROLLED DOCUMENT.		DWN Z. REAM 13/FEB/07	Tyco Electronics Corporation Harrisburg, PA 17105-3608		
DIMENSIONS: INCHES		CHK W.MILLHIMES 13/FEB/07			
TOLERANCES UNLESS OTHERWISE SPECIFIED:		APVD B.WERTZ 13/FEB/07	NAME STAND-OFF, SUTD, MTG		
0 PLC ± - 1 PLC ± - 2 PLC ± - 3 PLC ± .005 4 PLC ± - ANGLES ± -		PRODUCT SPEC -	APPLICATION SPEC -		
MATERIAL 1	FINISH 1	WEIGHT -	SIZE A3	CAGE CODE 00779	DRAWING NO C-229995
CUSTOMER DRAWING			SCALE 4:1	SHEET 1 OF 1	REV H